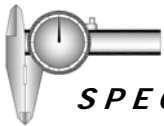


Stainless Steel Mortice Unmonitored Magnetic Lock with 600 lbs Holding Force

The STG 600 series electromagnetic locks are renowned for their excellent quality and reliability.

Their features make them an ideal choice for demanding applications.

Manufactured under strict quality standards to PSB Standards and in compliance with CE regulations.



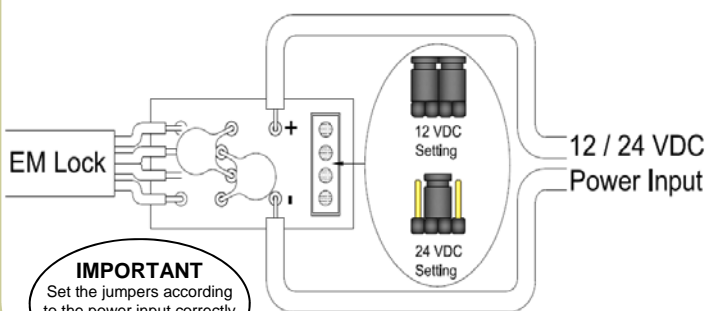
SPECIFICATIONS:

- ▶ **Voltage Input :** 12 VDC / 24 VDC
- ▶ **Current Draw :** 12V / 480mA ; 24V / 240mA (±5%)
- ▶ **Holding Force (Max) :** 600 lbs (272 kg)
- ▶ **Dry Reed Contact (Max) :** 100VDC, 0.25A, 3W
- ▶ **Anti-Rust Surface Treatment :** Blue Zinc Plating
- ▶ **Operating Temperature :** 0~55° C (32~131° F)
- ▶ **Operating Humidity :** 0~95% (non condensing)
- ▶ **Weight (Magnet) :** 1.0 kg (±1%)
- ▶ **Dimensions :** Magnet - (L)195x(W)35.5x(T)27 mm
Armature - (L)180x(W)38x(T)11 mm

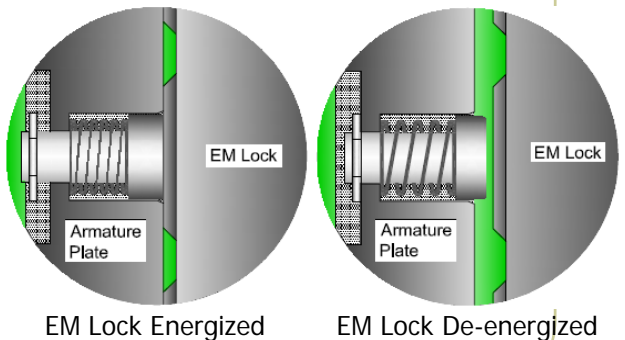


FEATURES:

- ▶ **Heavy Duty Stainless Steel Case For Vandal-Resistance and Anti-Corrosion Purposes**
- ▶ **Dual Voltage Selectable (12 VDC or 24 VDC)**
- ▶ **Low Current Consumption**
- ▶ **Reliable Holding Force**
- ▶ **Durable and Silence Operation**
- ▶ **Surge & Spike Protection PCB**
- ▶ **Anti Residual Magnetism Kick Off Button**



IMPORTANT
Set the jumpers according to the power input correctly before switch on the power



Disclaimer :

STG reserve the right to amend or modify models, features or price without notice.

All the information and specifications stated in this document are current at the time of publication and are subject to change without notice.

Security . Quality . Reliability