

# Wiring and Mounting Instructions

The P-600-AL is a modified P-600 Rocky Proximity Reader and Wiegand Keypad. The P-600-AL separates the control of the two status annunciation LEDs into two separate cables.

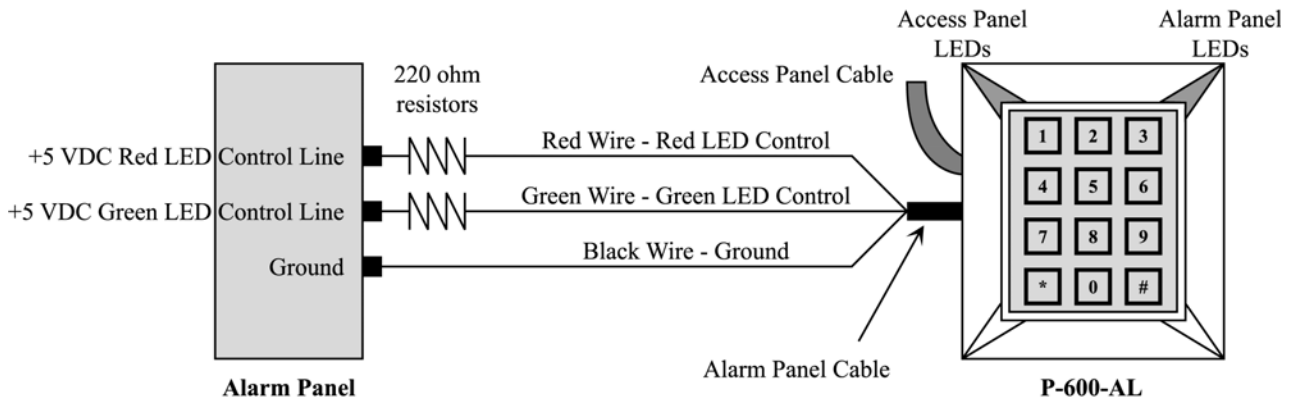
1. One LED is controlled by the P-600-AL, annunciating access control panel/reader status.
2. The other LED is controlled by a separate alarm panel to which the P-600-AL is connected.

*NOTE: This Application Note provides information specific to alarm panel LED wiring and control, and it provides a reader mounting diagram. Please refer to the Pyramid Series Reader Quick Start Guide (P/N 01866-002) for general P-600 reader installation and operation information.*

## 1.0 Alarm Panel LED Wiring Connections

To activate the Alarm Panel LEDs, you can apply +5 VDC using a relay, switching transistor, or similar device (see Figure 1).

*NOTE: This configuration does not support open collector operation.*



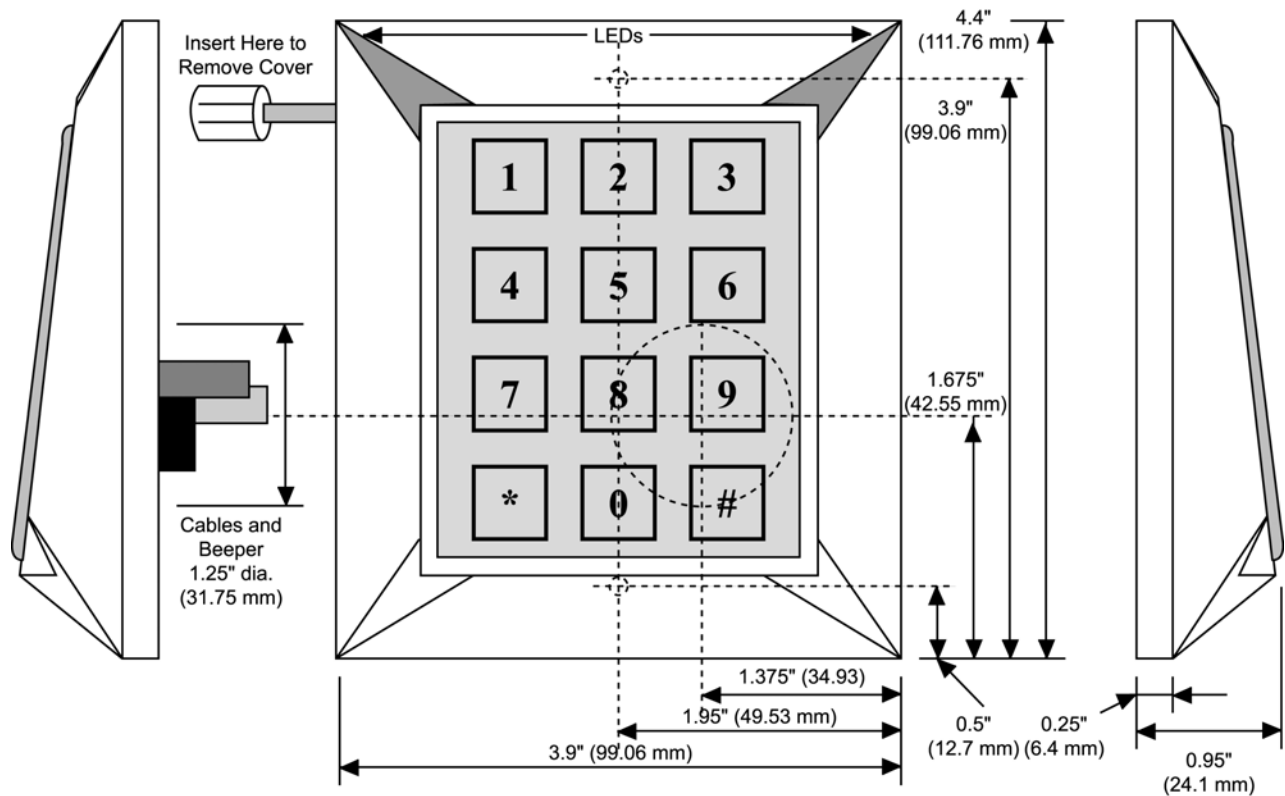
**Figure 1: Alarm Panel LED Wiring Connections**

- Apply +5 VDC through a 220 ohm load resistor at the Red LED Control Line to activate the Red LED.
- Apply +5 VDC through a 220 ohm load resistor at the Green LED Control Line to activate the Green LED.
- Apply +5 VDC through both 220 ohm load resistors at both the Red and Green LED Control Lines to activate the Amber LED.

# Wiring and Mounting Instructions

*NOTE: 220 ohm resistors are **not** included with the reader and must be supplied separately.*

## 2.0 Reader Mounting Diagram



**Figure 2: P-600-AL Mounting Diagram**

*NOTE: This diagram is **not to scale**.*